

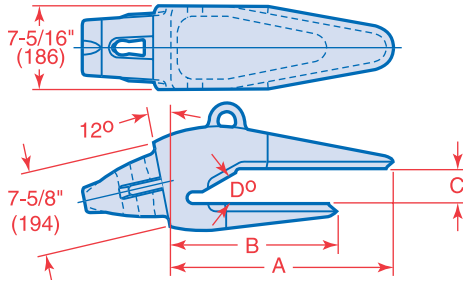


550 Parabolic® Series

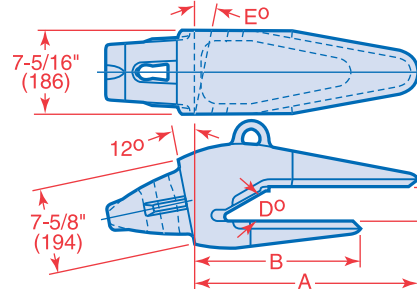
For excavators with operating weights up to 390,000 lbs.
and loaders with breakout forces of up to 260,000 lbs.



1-1/2 LEG WELD-ON ADAPTERS



Straight Lip (Type 1)

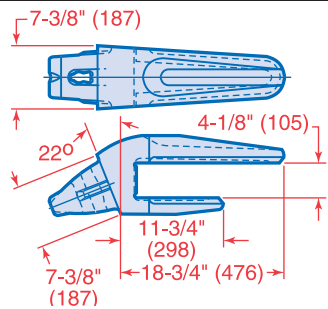


Spade Lip (Type 2)

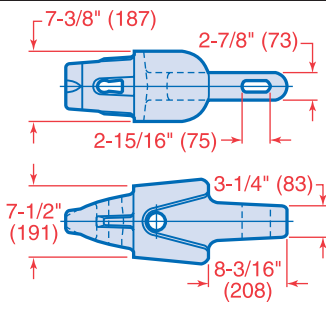
RH Shown/LH Opposite

Lip Thickness	Hensley Adapter #	Type #	Dimensions - Inches (mm)					Weight (Lbs./Kgs.)
			A	B	C	D°	E°	
3"	704X550	1	19-9/16 (497)	14-9/16 (370)	3-1/16 (78)	22		182/82.6
3"	705X550RH 706X550LH	2	19-9/16 (497)	14-9/16 (370)	3-1/16 (78)	22	15	182/82.6 ea.
3"	806X550	1	19-9/16 (497)	14-9/16 (370)	3-1/16 (78)	30		165/74.8
3"	804X550LH 805X550RH	2	19-9/16 (497)	14-9/16 (370)	3-1/16 (78)	30	12	173/78.5 ea.
3-1/2"	287X550	1	21-3/8 (543)	11-7/8 (302)	3-5/8 (92)	30		155/70.3
3-1/2"	288X550RH 289X550LH	2	21-3/8 (543)	11-7/8 (302)	3-5/8 (92)	30	10	155/70.3 ea.
4"	487X550	1	21-3/8 (543)	13-7/8 (352)	4-1/8 (105)	30		172/78.0
4"	488X550RH 489X550LH	2	21-3/8 (543)	13-7/8 (352)	4-1/8 (105)	30	14	175/79.4 ea.

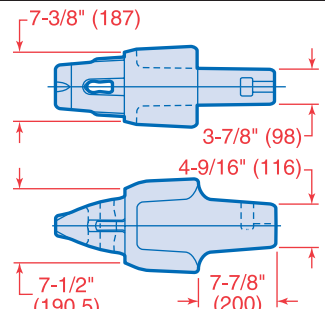
MISCELLANEOUS ADAPTERS



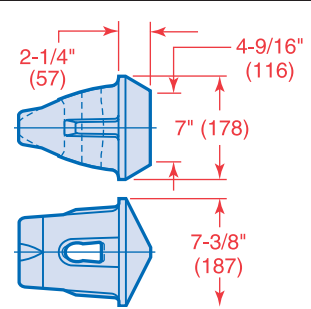
Weld-On Straight Blunt
400X550 179.0 lbs./81.2 kgs.



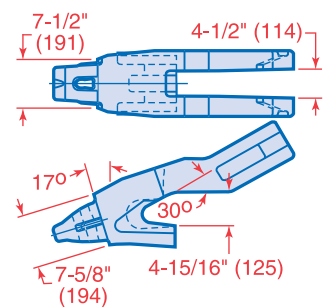
Stake Type
208X550 149.0 lbs./67.6 kgs.
Uses WP45W Wedge Key Fastener



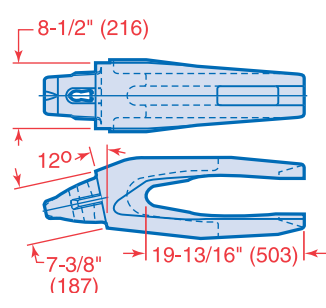
Stake Type
157X550 203.0 lbs./92.1 kgs.



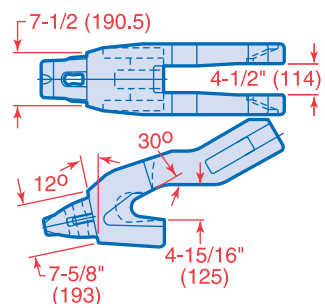
Weld-On Nose
550WN 60.0 lbs./27.2 kgs.



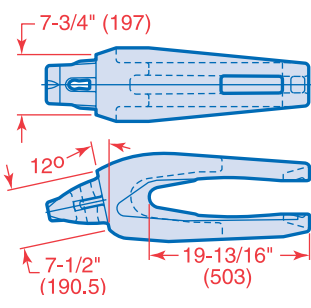
Zipper Lip Style Corner*
451X550 344.0 lbs./156.0 kgs.



Zipper Lip Style Center*
452X550 311.0 lbs./141.1 kgs.



Zipper Lip Style Corner*
453X550 381.0 lbs./172.8 kgs.



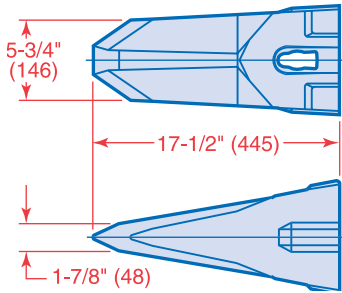
Zipper Lip Style Center*
454X550 415.0 lbs./188.2 kgs.

*Zipper Lip Style Adapters use 451CL "C" Clamp & 408WI Wedge.



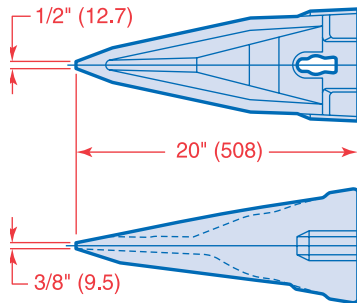
550 Parabolic® Series

TEETH



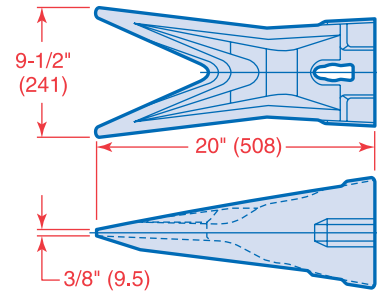
Rock Chisel

X550RC 82.0 lbs./37.2 kgs.



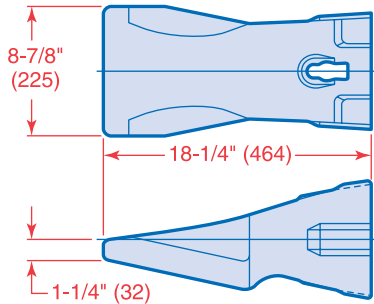
Tiger

T550 83.0 lbs./37.6 kgs.



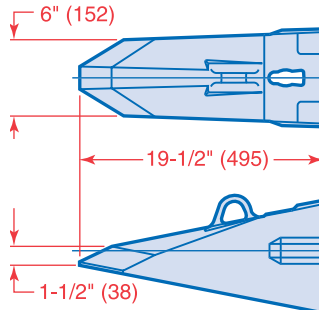
Twin Tiger

X550WT 93.0 lbs./42.2 kgs.



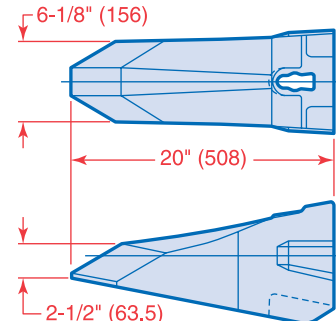
Abrasion

X550AGB 111.0 lbs./50.3 kgs.



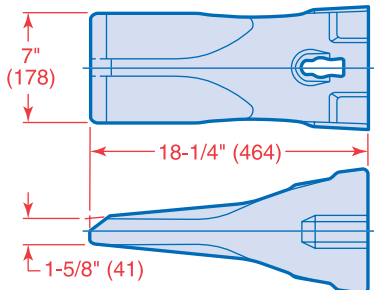
Rock Penetrator

X550RP2 123.0 lbs./55.8 kgs.



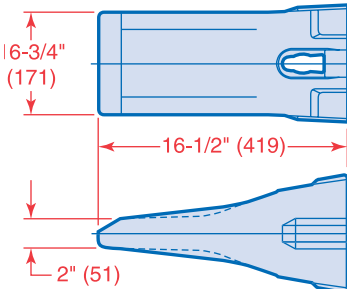
Rock Penetrator

X550RP3 140.0 lbs./63.5 kgs.



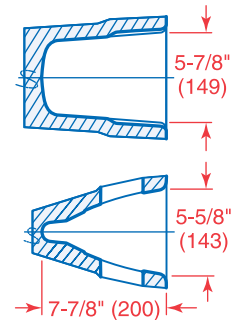
Sharp, Ribbed

X550SYL 91.0 lbs./41.3 kgs.



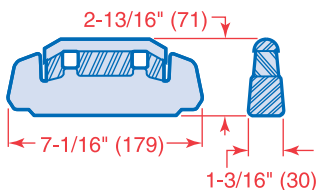
Rock, Long

X550RL 78.0 lbs./35.4 kgs.



550 Pocket Detail

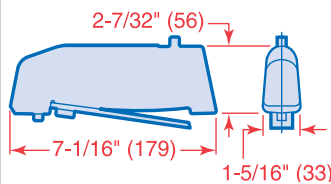
TOOTH FASTENERS



Flex Pin w/Rubber

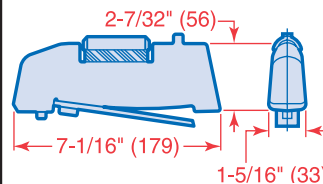
P550 4.0 lbs./1.8 kgs.

Also Available: Flex Pin w/Silicon, P550S, for extreme temperatures.



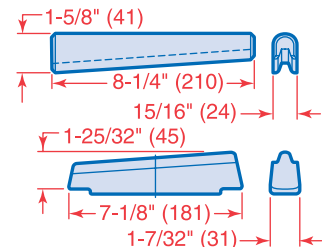
Keeper Pin

K550 4.3 lbs./1.9 kgs.



Keeper Pin w/Rubber

K550R 3.7 lbs./1.7 kgs.



Spool & Wedge

550SP 2.7 lbs./1.2 kgs.

550W 2.2 lbs./1.0 kgs.

Safety First: Hensley Industries recommends that you use a soft-faced hammer and ANSI-approved (Z87.1) eye protection while using our products.



Hensley Industries, Inc. 2108 Joe Field Road Dallas, Texas 75229, U.S.A. www.hensleyind.com

Customer Service: 888.406.6262 U.S. & Canada 972.406.6262 all other locations

550 Series.indd 0500