



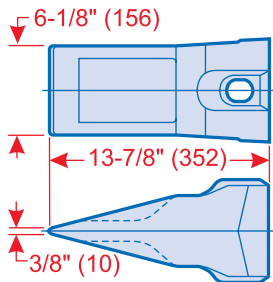
# Hensley 485 Series

For excavators with operating weights up to 155,00 lbs.  
and loaders with breakout forces of up to 150,000 lbs.

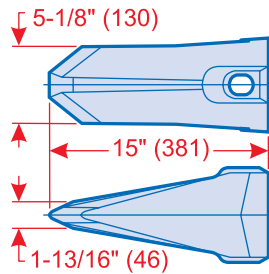


## TEETH

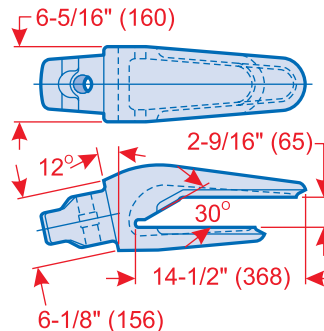
## ADAPTERS



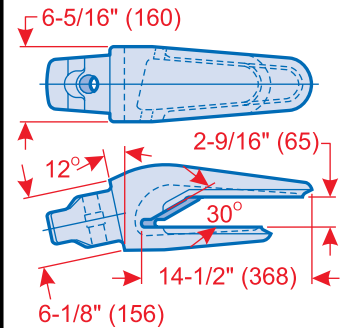
**STANDARD**  
**485** 48.3 lbs./21.9 kgs.



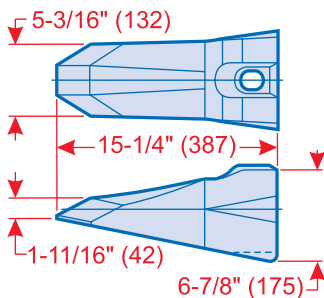
**ROCK CHISEL**  
**485RC** 58.5 lbs./26.5 kgs.



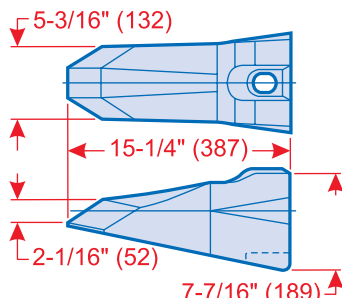
**1-1/2 LEG (CENTER)**  
**303X485** 106.0 lbs./48.1 kgs.



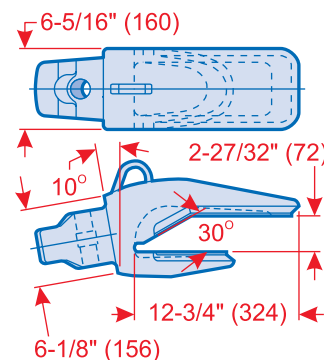
**1-1/2 LEG (RH SHOWN)**  
**304X485** (rh), **305X485** (lh, opposite) 111.0 lbs./50.3 kgs.



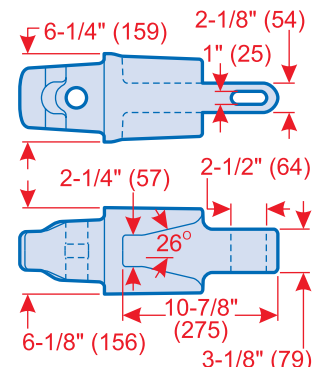
**ROCK PENETRATOR**  
**485RP2** 63.0 lbs./28.6 kgs. (est.)



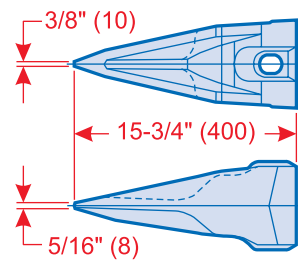
**ROCK PENETRATOR, HEAVY**  
**485RP3** 76.0 lbs./34.5 kgs. (est.)



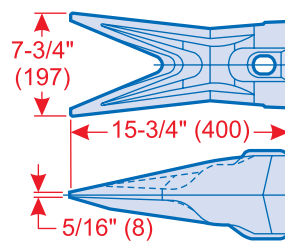
**1-1/2 LEG (CENTER)**  
**275X485** 108.0 lbs./49.0 kgs. (est.)



**STAKE TYPE**  
**158X485** 83.0 lbs./37.6 kgs.

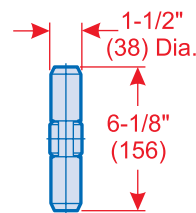


**TIGER**  
**T485** 48.1 lbs./21.8 kgs.

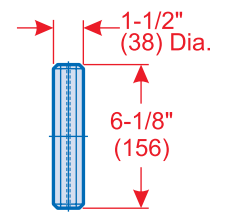


**TWIN TIGER**  
**485WT** 51.8 lbs./23.5 kgs.

## TOOTH FASTENERS



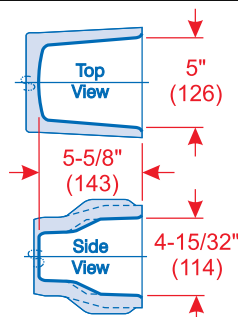
**STEEL PIN W/SNAP RING**  
**P485** 3.0 lbs./1.4 kgs.



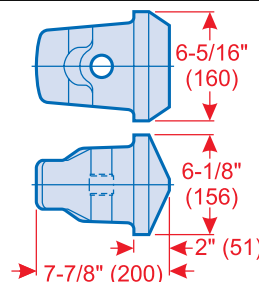
**SLOTTED PIN**  
**P485SL** 2.0 lbs./0.9 kgs.

All dimensions are in inches (millimeters).

## POCKET DETAIL



## WELD-ON NOSE



**WELD-ON NOSE**  
**485WN** 40.1 lbs./18.2 kgs.

## YOUR AUTHORIZED HENSLEY DEALER

485series0303

All dimensions are in inches (millimeters). **SAFETY FIRST:** Hensley recommends that you use a soft-faced hammer and ANSI-approved (Z87.1) eye protection while using our products.



Hensley Industries, Inc. 2108 Joe Field Road Dallas, Texas 75229, U.S.A. [www.hensleyind.com](http://www.hensleyind.com)  
Customer Service: 888.406.6262 U.S. & Canada 972.406.6262 all other locations

Copyright © 2003 Hensley Industries, Inc. This publication is protected under the copyright laws of the United States. Unauthorized duplication or distribution is prohibited.